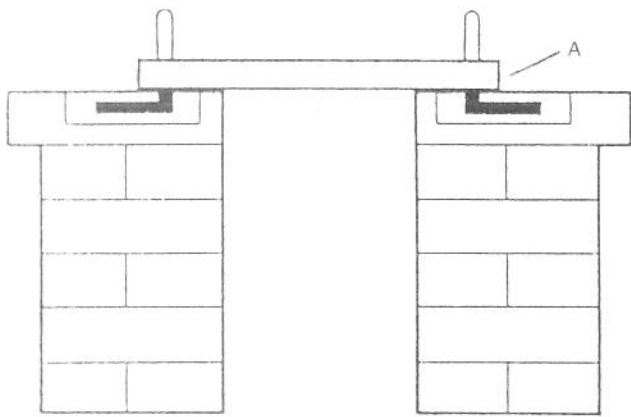
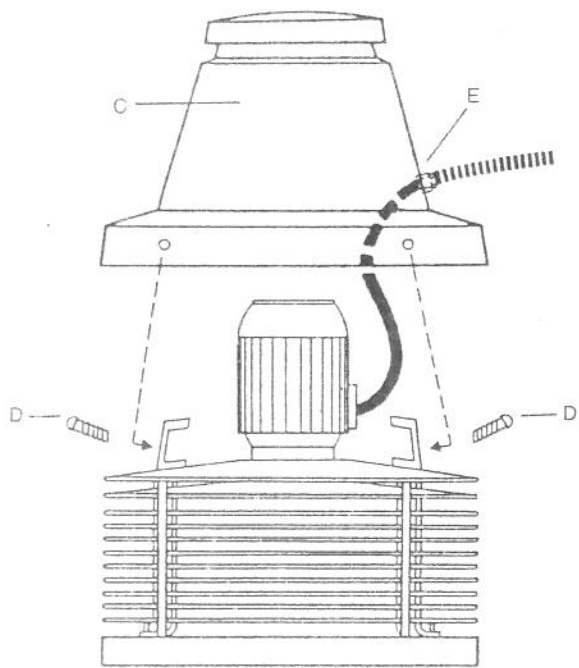


Fig. 1



2

Fig. 2

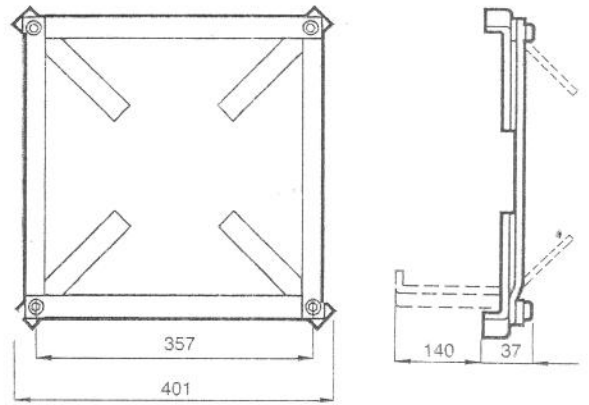
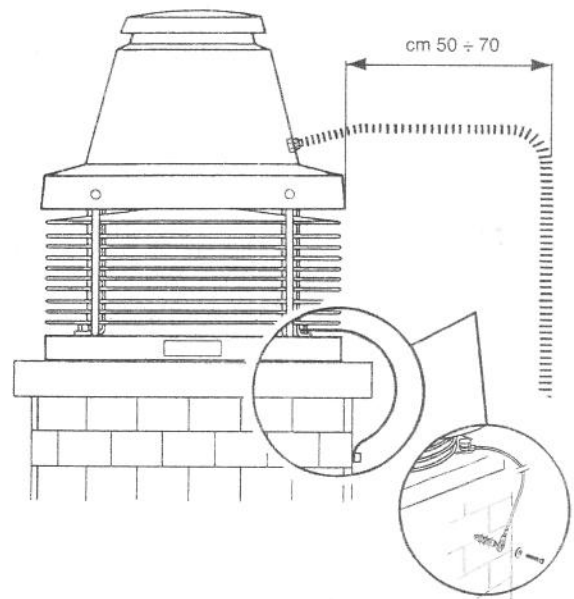


Fig. 3



3



CAUTION

General warnings

Recommended by the ANIE (National Association of Electrotechnical and Electronic Industries) member manufacturers.

N.B.: This device was carefully manufactured. Its mechanical and electrical dependability and durability will be more efficient if it is used correctly and if maintenance is regularly carried out.

- Read the instructions in this booklet carefully as they give important information on the correct installation, use and maintenance of the appliance. Keep this booklet in a safe place so that it will be available for future reference.
- After removing the packaging check that the appliance has not been damaged in transit. In case of doubt do not attempt to rectify or use the appliance. Seek advice from a suitably qualified person or Vortice Ltd. Packaging materials (plastic bags, polystyrene foam, nails, etc.) must be kept away from children as they could cause harm.
- Before connecting the appliance to the mains supply ensure that the rating label specifications correspond to your electrical supply. (The rating label is to be found on the frontal side of the basement).
- This appliance must only be used for the purpose for which it was designed, i.e. to strength the up-draught of chimney. All other uses must be considered to be potentially dangerous. Vortice Ltd cannot be held responsible for any damage caused by improper, incorrect or unreasonable use.
- Before beginning any cleaning or maintenance operations disconnect the appliance from the electrical supply by taking out the plug or switching off the appliance isolation switch.
- In case of a fault and/or malfunction of the appliance, switch it off but do not attempt to rectify. Seek advice from a suitably qualified person or Vortice Ltd. If repair is necessary, contact Vortice Ltd. or your local Service Agent. If any other Service Agency is employed, insist that only Vortice spare parts must be used. If the above action is not carried out, the safety of the appliance could be jeopardized.
- Should it be decided not to use this appliance any longer, it should be removed from the electrical supply and rendered inoperative, then disposed of in the normal manner. It is also recommended to make harmless those parts of the appliance which could be harmful, especially to children who might play with the disused appliance.
- The electrical system must meet the existing norms.
- Max. aspirated air temperature: 200 °C (392 °F).

Special general warnings

- Installation must be carried out as detailed in these instructions of Vortice Ltd. by a qualified person. The user is warned that incorrect installation could cause harm to persons or animals or damage to property. Vortice Ltd cannot be held responsible in such cases.
- The electrical safety of this appliance is only guaranteed when it is correctly installed and earthed according to the latest issue of the I.E.E. Wiring Regulations. Conformity with these requirements must be ensured and, in the case of doubt, the system checked by a suitably qualified person. Vortice Ltd cannot be held responsible for any damage caused because the appliance has not been installed and earthed correctly.
- Check that the current carrying capacity of the mains wiring and socket are adequate for the maximum rating of the device shown on the rating label. In case of doubt consult a suitably qualified person.
- In case the appliance drops to the ground or is hardly struck it may be damaged even if such damages are not visible and it may become

dangerous, therefore please do not use it and apply to a Vortice Representative for a control.

- When installing it is necessary to use a double pole switch with a contact separation of 3 mm or more.
- Do not leave the appliance plugged in unnecessarily. Switch off the main switch of the appliance when the appliance is not in use.
- Do not obstruct the air inlet or outlet grilles or cooling vents.
- Do not mount (or stand) the appliance closer to walls, ceilings or other objects than those minimum distances stated in these instructions.

Important

The top of the chimney does not necessarily have to have the same dimensions as the base of the product.

But if the smoke stack cross-section measures less and 15 x 15, or an equivalent diameter (17 cm), the smoke stack will not function properly, and the chimney draft may also be insufficient. In this case, contact the Vortice office for instruction.

The electrical system must meet the existing norms.

The unit should be adjusted to function according to the fire situation in the fireplace.

When starting up = Adjust to the maximum setting so as to push out all the cold that is blocking the chimney;

When the fire is going normally = Adjust to the minimum setting, just enough to eliminate the smoke.

ATTENTION!

If the unit's mounted height from the floor is less than 2.5 meters, the special protective grille must be installed to avoid accidental contact with the moving parts.

Instructions for installation

- 1) Fix on the appropriate wall, at the base of the chimney, either the frame supplied (A) or embed four bolts M8 in a wall space 357 x 357 (Fig. 1).
 - 2) Mount the complete chimney ventilator (B) on either the frame of the bolts and fix with the M8 nuts provided.
 - 3) Remove the protective cap (C) from the motor, unscrewing the four bolts (D) to give access to the electric terminal block contained in the box on the motor.
 - 4) Pass the connecting cable through the cable clamp (E) and connect to the motor as shown in the diagram on rear page.
 - 5) Tighten the cable clamp on the terminal box and replace the metal hood of the fan. Pull any slack back through clamp (E) and tighten.
 - 6) Insert the supply cable in a metallic spiral tube or at least a protective metal tube Ø 16 ext. that should be placed at a distance of at least 50 + 70 cm from the grille of the chimney ventilator (Fig. 3).
 - 7) Check that the fan is rotating in the direction indicated on the metal plate (see connection diagram).
 - 8) For safety reasons, attach the safety cable to the base of the unit (as shown in Fig. 3) and secure the other end to the top of the masonry roof. Note.
- 1) When used in conjunction with the remote controller the wiring connections are described in the controller leaflet.
 - 2) When installed the appliance must be controlled by a double pole switch and protected by a suitable fuse.