

THT/WALL-F



Dynamic wall-mount extractor fans with motorised hatch, for smoke exhaust in fires, 400°C/2h and 300°C/2h.

Dynamic wall extractor fans with motorised opening system and protective grating for use without extract duct. Specially designed for the fast, effective exhaust of harmful smoke and gases in the event of fire. Suitable for installation in industrial buildings, stores or in any other type of building. Approved in accordance with standard EN -12101-3, with F-400 and F-300 certificate. Can be used for ambient ventilation.

Fan:

- An extremely robust structure that is able to withstand severe weather changes.
- Equipment structure made of anti-corrosive galvanised sheet steel.
- Water-tight design to prevent water entry.
- Heat insulation of 60 mm to prevent hot air loss in the winter.
- The wall mount bracket permits correct, easy installation.
- With F-400 certificate number O370-CPR-2823 and F-300 certificate number O370-CPR-0973
- Limit switch.
- Variable angle rotors made of cast aluminium.
- Airflow direction from motor to impeller.

Motor:

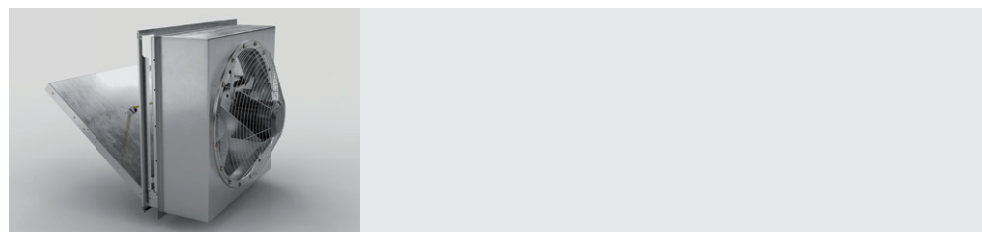
- Class H motors for S1 continuous operation and S2 emergency use. With ball bearings, IP55 protection and 1 or 2 speeds, depending on model.
- IE3 efficiency motors for powers equal to or greater than 0.75kW except single-phase, 2-speed and 8-pole.
- Three-phase 230/400V-50Hz (up to 3kW) and 400/690V-50Hz (powers greater than 3kW).
- Maximum temperature of air to be carried: S1 -20°C +40°C continuous service, also suitable for warm climates with temperatures up to 50°C. S2 operation, 300°C/2h, 400°C/2h.

Finish:

- Anti-corrosive finish on galvanised sheet steel.

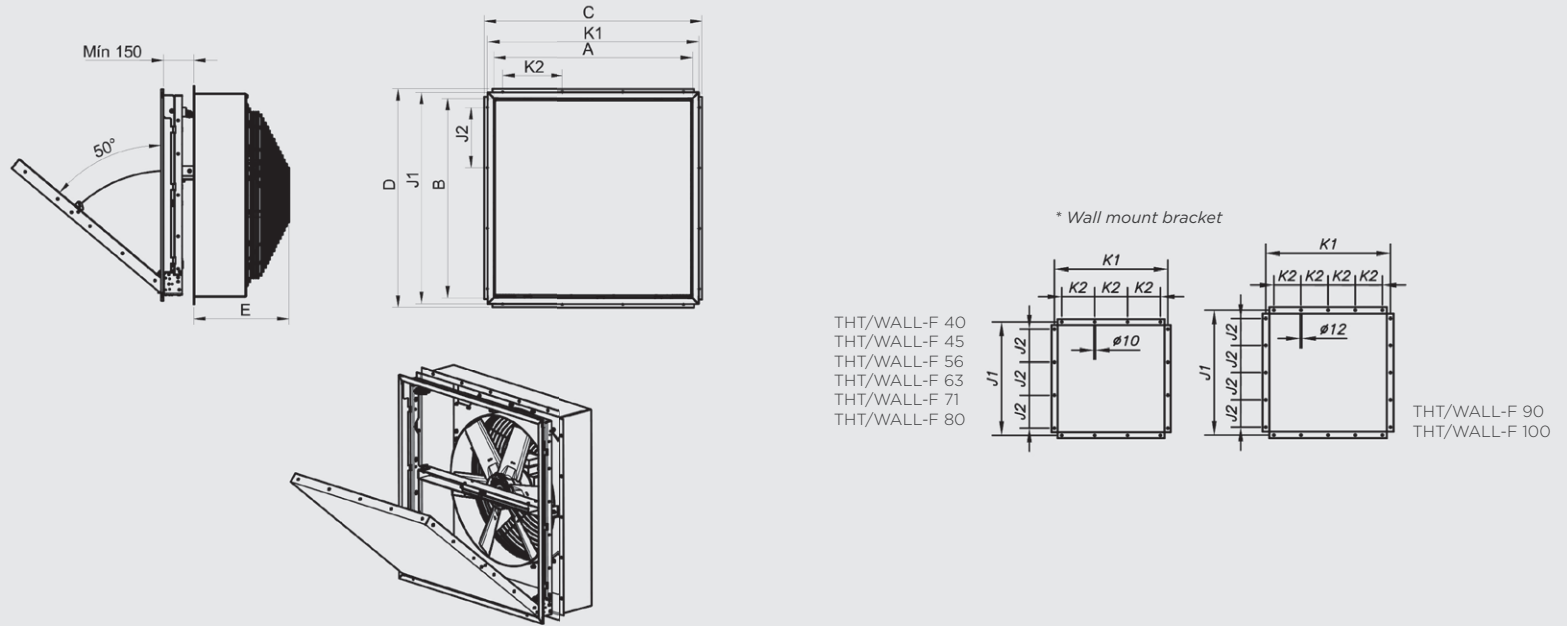
On request:

- Anti-corrosive paint finish, in the colour requested by the client.



Model	Speed (r/min)	Max. admissible current (A)			Max. electric power (kW)	Blade inclination angle (°)	Max. airflow (m³/h)	Sound pressure level dB(A)	Approx. weight (kg)	According to ErP
		230 V	400 V	690 V						
THT/WALL-F-40-2T-1.5 IE3	2880	4.70	2.70		1.10	20	7050	73	113	2015
THT/WALL-F-45-2T-2 IE3	2880	5.90	3.40		1.50	16	9405	75	114	2015
THT/WALL-F-45-2T-3 IE3	2840	8.70	5.00		2.20	22	11325	77	115	2015
THT/WALL-F-56-4T-2 IE3	1440	6.20	3.60		1.50	36	15020	72	136	2015
THT/WALL-F-63-4T-3 IE3	1425	9.00	5.20		2.20	32	22460	73	218	2015
THT/WALL-F-63-4T-4 IE3	1430	11.40	6.60		3.00	38	24460	74	227	2015
THT/WALL-F-71-4T-3 IE3	1425	9.00	5.20		2.20	22	25100	81	218	2015
THT/WALL-F-71-4T-4 IE3	1430	11.40	6.60		3.00	28	27500	82	227	2015
THT/WALL-F-71-6T-1.5 IE3	945	5.50	3.20		1.10	34	19950	69	215	2015
THT/WALL-F-80-4T-3 IE3	1425	9.00	5.20		2.20	12	25545	79	231	2015
THT/WALL-F-80-4T-4 IE3	1430	11.40	6.60		3.00	16	30410	80	240	2015
THT/WALL-F-80-4T-5.5 IE3	1440		8.40	4.80	4.00	18	32940	81	246	2015
THT/WALL-F-80-6T-1.5 IE3	945	5.50	3.20		1.10	18	21580	69	230	2015
THT/WALL-F-80-6T-2 IE3	945	7.40	4.30		1.50	26	26090	70	289	2015
THT/WALL-F-90-4T-7.5 IE3	1460		12.60	7.30	5.50	18	46325	88	362	2015
THT/WALL-F-90-4T-10 IE3	1460		17.70	10.20	7.50	22	50315	89	373	2015
THT/WALL-F-90-6T-3 IE3	950	9.50	5.50		2.20	24	34055	75	324	2015
THT/WALL-F-90-6T-4 IE3	970	13.50	7.80		3.00	30	39055	76	361	2015
THT/WALL-F-100-4T-10 IE3	1460		17.70	10.20	7.50	16	57650	90	366	2015
THT/WALL-F-100-4T-15 IE3	1460		22.00	12.70	11.00	22	66505	91	423	2015
THT/WALL-F-100-4T-20 IE3	1460		29.00	16.70	15.00	28	76445	92	438	2015
THT/WALL-F-100-6T-5.5 IE3	970		11.00	6.40	4.00	26	47955	81	366	2015

THT/WALL-F



Model	A	B	C	D	E	J1	J2	K1	K2
THT/WALL-F-40	645	595	730	730	375	700	200	700	200
THT/WALL-F-45	645	595	730	730	400	700	200	700	200
THT/WALL-F-56	695	695	875	875	415	790	220	790	220
THT/WALL-F-63	995	995	1085	1085	475	1050	300	1050	300
THT/WALL-F-71	995	995	1085	1085	500	1050	300	1050	300
THT/WALL-F-80	995	995	1145	1145	500	1050	300	1050	300
THT/WALL-F-90	1195	1195	1345	1345	525	1250	250	1250	250
THT/WALL-F-100	1195	1195	1345	1345	550	1250	250	1250	250

(A x B) Nominal wall opening size without frame accessory (PM).