

# HTM



## Mobile long-cased axial fans

Mobile fans with possibility of directing airflow.



### Fan:

- Sheet steel cased casing
- Impeller in polyamide 6 reinforced with fibre glass
- Protection guard to prevent contacts according to standard UNE-EN ISO 12499:2010 on both sides
- Connection box with start-stop switch that can be rearmed manually to prevent the fan being switched on accidentally (EN ISO 12100:2012)
- Airflow direction from motor to impeller

### Motor:

- IE2 efficiency motors for capacities equal to or over 0.75kW and below 7.5kW, except single-phase, 2 speed and 8 pole motors.
- Class F motors, with ball bearings and IP55 protection, except single-phase versions from size 35 to size 56, IP54 protection.
- Single-phase 230V.-50Hz., and three-phase 230/400V.-50Hz.
- Fan working temperature: -25°C + 50°C

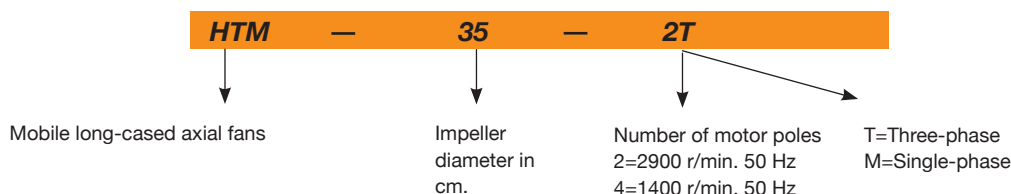
### Finish:

- Anticorrosive finish in polyester resin polymerised at 190°C, after degreasing with phosphate-free nanotechnology treatment.

### On request:

- Airflow direction from impeller to motor
- 100% reversible impellers.
- Special windings for different voltages
- ATEX certification, Category 2

## Order code



## Technical characteristics

Model	Speed (r/min)	Max. current admissible (A)		Installed capacity (kW)	Maximum airflow (m³/h)	Sound pressure level dB(A)	Approx. weight (Kg)
		230V	400V				
HTM-35-2T	2710	1.92	1.11	0.37	5750	77	13
HTM-35-2M	2780	2.53		0.37	5750	77	13
HTM-35-4T	1320	0.65	0.38	0.09	3100	59	12
HTM-35-4M	1380	0.65		0.09	3100	59	12
HTM-40-4T	1350	1.66	0.96	0.25	5150	64	19
HTM-40-4M	1370	2		0.25	5150	64	19
HTM-45-4T	1370	2.02	1.17	0.37	7100	68	22
HTM-45-4M	1400	2.76		0.37	7100	68	22
HTM-56-4T	1380	2.92	1.69	0.55	11050	72	27
HTM-56-4M	1400	4.4		0.55	11050	72	27
HTM-63-4T	1400	4.03	2.32	1.1	17000	74	35



## Erp. BEP (best efficiency point) characteristics

<b>MC</b>	Measurement category	<b>ηe[%]</b>	Efficiency
<b>EC</b>	Efficiency category	<b>N</b>	Degree of efficiency
<b>S</b>	Static	<b>[kW]</b>	Electrical power
<b>T</b>	Total	<b>[m³/h]</b>	Airflow
<b>VSD</b>	Variable-speed drive	<b>[mmH₂O]</b>	Static or total pressure (According to EC)
<b>SR</b>	Specific relationship	<b>[RPM]</b>	Speed

Model	MC	EC	VSD	SR	ηe [%]	N	[kW]	[m3/h]	[mmH₂O]	[RPM]
HTM-35-2T	A	S	NO	1.00	37.1%	45.2	0.515	2998	23.40	2737
HTM-35-2M	A	S	NO	1.00	36.5%	44.6	0.524	2983	23.52	2791
HTM-35-4T	A	S	NO	1.00	27.4%	39.3	0.128	1857	6.94	1400
HTM-35-4M	A	S	NO	1.00	25.6%	37.4	0.137	1851	6.96	1425
HTM-40-4T	A	S	NO	1.00	32.0%	41.7	0.289	3401	10.00	1396
HTM-40-4M	A	S	NO	1.00	28.2%	37.5	0.329	3332	10.23	1401
HTM-45-4T	A	S	NO	1.00	33.4%	41.8	0.475	4228	13.80	1392
HTM-45-4M	A	S	NO	1.00	29.6%	37.6	0.538	4257	13.73	1410
HTM-56-4T	A	S	NO	1.00	33.2%	40.6	0.660	6808	11.81	1405
HTM-56-4M	A	S	NO	1.00	32.7%	40.1	0.669	6622	12.13	1422
HTM-63-4T	C	S	NO	1.00	45.3%	51.1	1.179	10593	18.50	1412

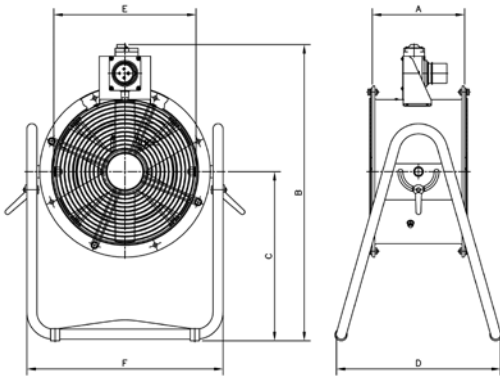
## Acoustic features

The specified values are determined according to free field measurements of pressure and sound levels in dB(A) at an equivalent distance of twice the fan's span plus the impeller's diameter, with a minimum of 1.5 m.

Sound power Lw(A) spectrum in dB(A) via frequency band in Hz.

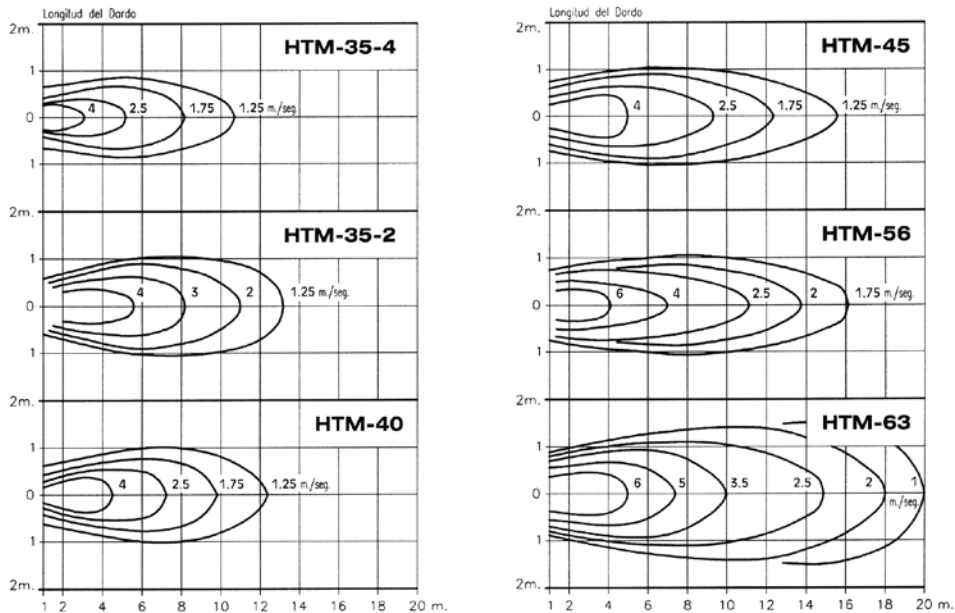
Model	63	125	250	500	1000	2000	4000	8000	Model	63	125	250	500	1000	2000	4000	8000
35-2	42	59	71	79	84	84	80	73	45-4	33	50	62	70	75	75	71	64
35-4	24	41	53	61	66	66	62	55	56-4	39	56	69	76	81	82	77	70
40-4	29	46	58	66	71	71	67	60	63-4	43	60	73	80	85	86	81	74

## Dimensions in mm



Model	A	B	C	D	E	F
HTM-35	280	736	420	415	355	489
HTM-40	320	775	481	450	410	596
HTM-45	360	795	481	453	460	596
HTM-56	400	945	594	522	560	726
HTM-63	430	978	594	522	640	805

## Characteristics of jet with fan positioned 1 metre away from point 0



## Accessories

See accessories section.

