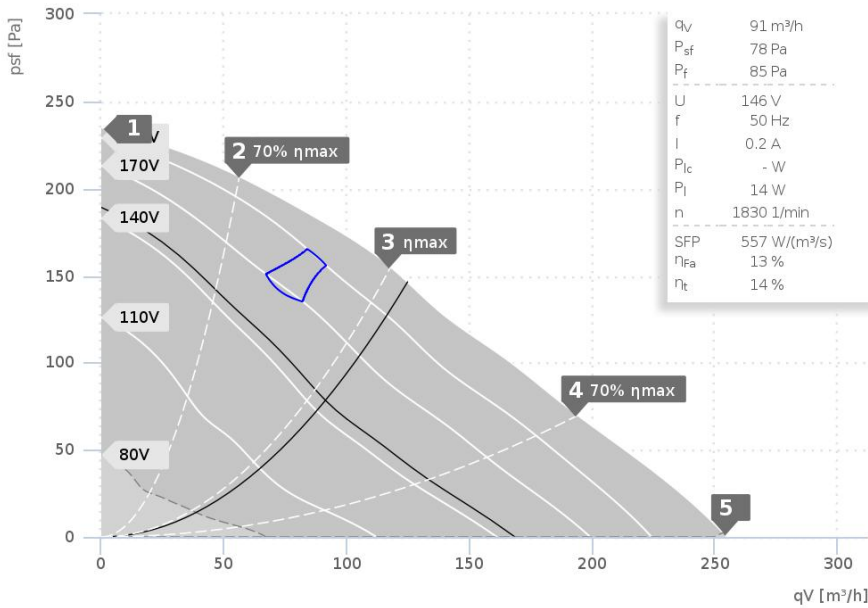


DATA SHEET

RS 100L 20 | 143351



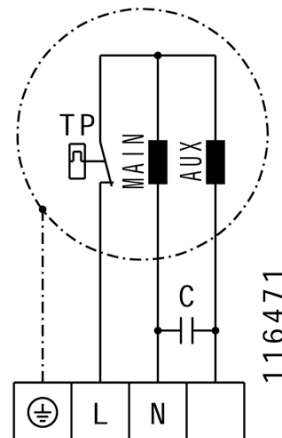
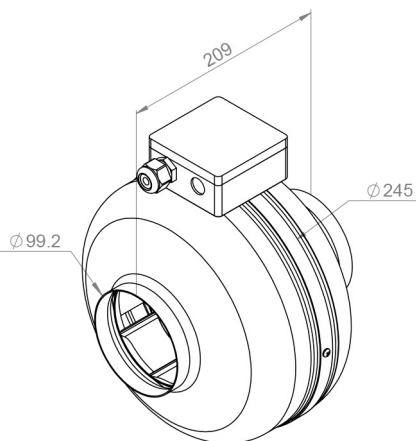
- Backward curved centrifugal fan
- Metal housing RAL 7035
- Speed controllable
- Integrated thermostatic switch
- Incl. terminal box

— ErP compliant range

Operating Point		1	2	3	4	5
Current I	A	0,2	0,2	0,2	0,2	0,2
Power consumption P ₁	W	22	24	26	28	28
RPM n	1/min	2710	2619	2487	2400	2396
SPL inlet L _{WA5}	dB(A)	59	59	59	62	64
SPL outlet L _{WA6}	dB(A)	58	59	60	65	66
SPL casing break out L _{WA2}	dB(A)	47	47	48	48	48

Sound power (L _W) dB(A)		Medium Frequency Band								
		Σ	63	125	250	500	1k	2k	4k	8k
Inlet	L _{WA5}	51	31	32	46	44	46	42	32	22
Outlet	L _{WA6}	51	32	37	49	39	43	41	33	23
Casing	L _{WA2}	40	22	24	27	33	37	32	24	17

RS 100L 20 143351	
Voltage U _N	230 V 1~
Current I _{max}	0,2 A
Ambient Temperature t _A	60 °C
Medium temperatures t _M	60 °C
Speed Control	V
Motor Protection	TAI
Isolation Class	F
Weight	2,8 kg



116471