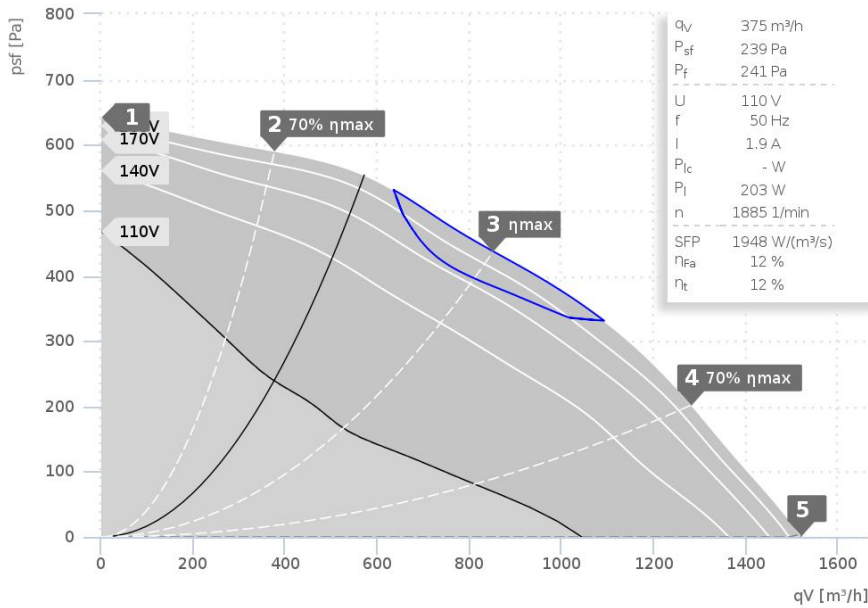


DATA SHEET

DVN 225 E2 21 | 137887



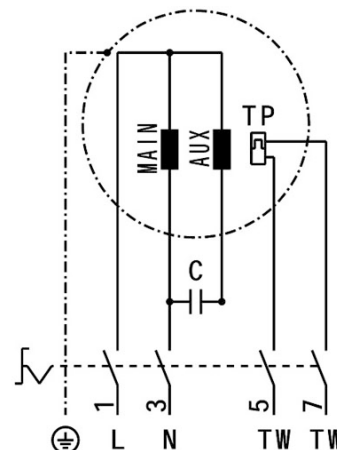
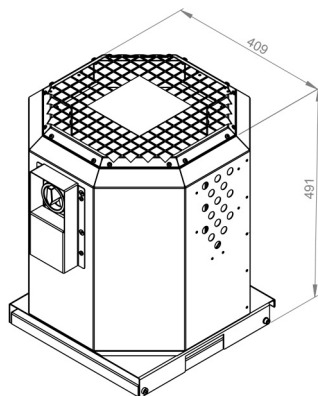
- Max. medium temperature 120°C
- Motor outside of air stream
- Swing-out fan section
- Speed controllable
- Drain tray

— ErP compliant range

Operating Point		1	2	3	4	5
Current I	A	0,8	1,0	1,2	1,2	1,1
Power consumption P ₁	W	180	234	270	265	242
RPM n	1/min	2910	2871	2845	2851	2872
SPL inlet L _{WA5}	dB(A)	74	72	71	77	79
SPL outlet L _{WA6}	dB(A)	77	76	77	80	82
SPL casing break out L _{WA2}	dB(A)	-	-	-	-	-

Sound power (L _W) dB(A)		Medium Frequency Band								
		Σ	63	125	250	500	1k	2k	4k	8k
Inlet	L _{WA5}	60	35	51	53	54	55	52	49	37
Outlet	L _{WA6}	65	39	53	57	60	59	55	50	42
Casing	L _{WA2}	-	-	-	-	-	-	-	-	-

DVN 225 E2 21 137887	
Voltage U _N	230 V 1~
Current I _{max}	2,2 A
Ambient temperature t _A	60 °C
Medium temperatures t _M	120 °C
Speed Control	V
Motor Protection	TAO
Isolation Class	F
Weight	20,7 kg



121998