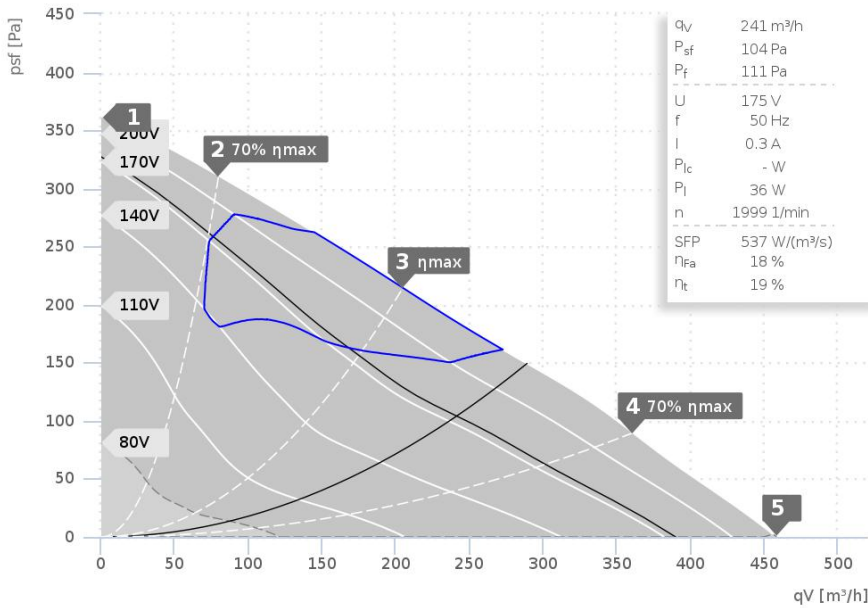


DATA SHEET

RS 160 10 | 134986



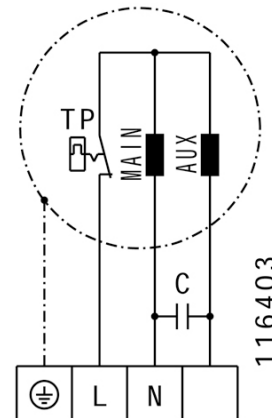
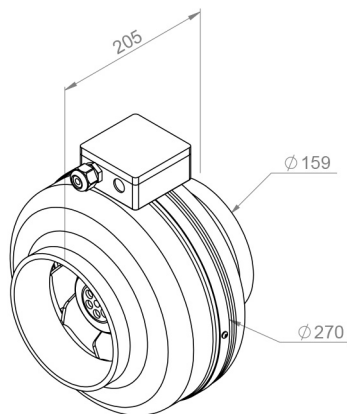
- Backward curved centrifugal fan
- Metal housing RAL 7035
- Speed controllable
- Integrated thermostatic switch
- Incl. terminal box

— ErP compliant range

Operating Point		1	2	3	4	5
Current I	A	0,2	0,3	0,3	0,3	0,3
Power consumption P ₁	W	34	39	46	49	46
RPM n	1/min	2748	2644	2451	2404	2469
SPL inlet L _{WA5}	dB(A)	64	63	62	63	67
SPL outlet L _{WA6}	dB(A)	64	64	62	64	65
SPL casing break out L _{WA2}	dB(A)	51	50	45	48	51

Sound power (L _W) dB(A)		Medium Frequency Band								
		Σ	63	125	250	500	1k	2k	4k	8k
Inlet	L _{WA5}	57	28	39	43	50	52	52	49	38
Outlet	L _{WA6}	57	36	38	51	48	52	51	46	36
Casing	L _{WA2}	46	28	29	33	38	42	39	32	25

RS 160 10 134986	
Voltage U _N	230 V 1~
Current I _{max}	0,3 A
Ambient Temperature t _A	70 °C
Medium temperatures t _M	70 °C
Speed Control	V
Motor Protection	TMI
Isolation Class	F
Weight	3,2 kg



116403