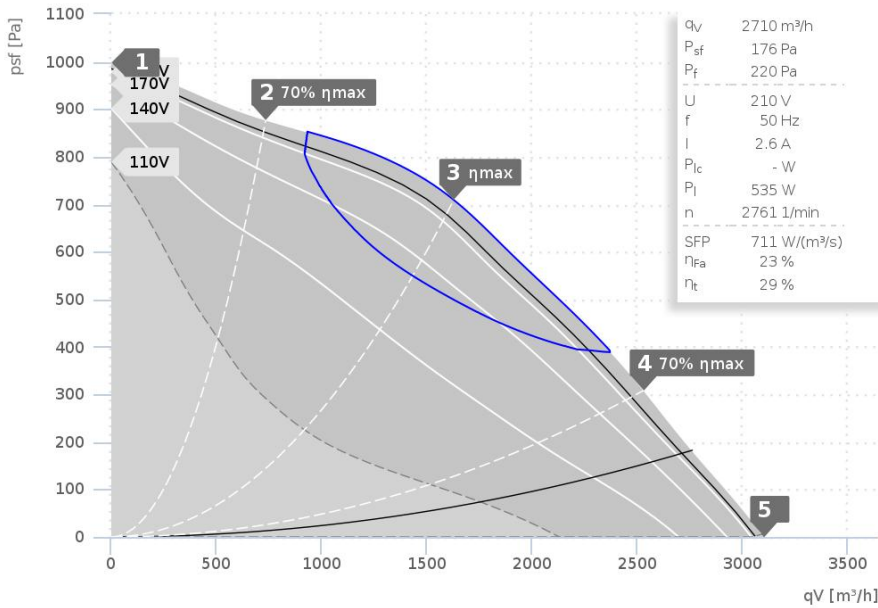


# DATA SHEET

## DVN 280 E2 20 | 126659



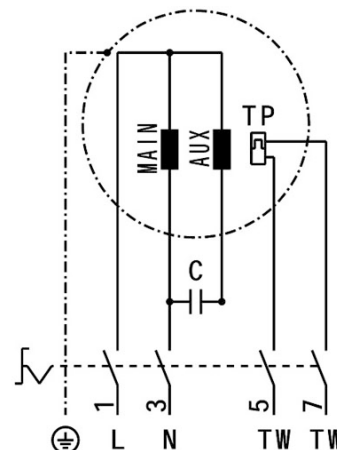
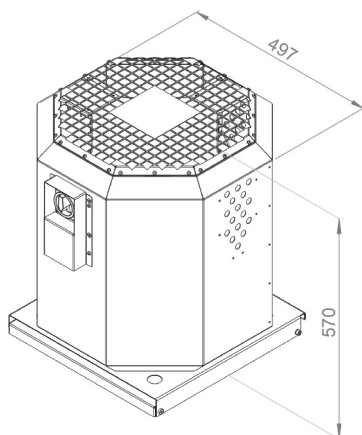
- Max. medium temperature 120°C
- Motor outside of air stream
- Swing-out fan section
- Speed controllable
- Drain tray

— ErP compliant range

Operating Point		1	2	3	4	5
Current I	A	1,6	2,3	2,8	2,7	2,3
Power consumption P <sub>1</sub>	W	313	513	622	597	496
RPM n	1/min	2909	2826	2772	2792	2838
SPL inlet L <sub>WA5</sub>	dB(A)	81	79	76	80	83
SPL outlet L <sub>WA6</sub>	dB(A)	83	82	80	84	86
SPL casing break out L <sub>WA2</sub>	dB(A)	-	-	-	-	-

Sound power (L <sub>W</sub> ) dB(A)		Medium Frequency Band								
		Σ	63	125	250	500	1k	2k	4k	8k
Inlet	L <sub>WA5</sub>	80	46	58	72	75	71	70	70	71
Outlet	L <sub>WA6</sub>	84	48	62	79	77	79	75	71	71
Casing	L <sub>WA2</sub>	-	-	-	-	-	-	-	-	-

DVN 280 E2 20   126659	
Voltage U <sub>N</sub>	230 V 1~
Current I <sub>max</sub>	3,8 A
Ambient temperature t <sub>A</sub>	60 °C
Medium temperatures t <sub>M</sub>	120 °C
Speed Control	V
Motor Protection	TAO
Isolation Class	F
Weight	29,1 kg



121998