

NEW

NORDIK INTERNATIONAL PLUS R 140/56" IPX5

REVERSIBLE CEILING FAN



VENTILATION
AIR CONDITIONING
AIR CLEANING
HEATING



IPX5

Nordik International Plus R 140/56" IPX5

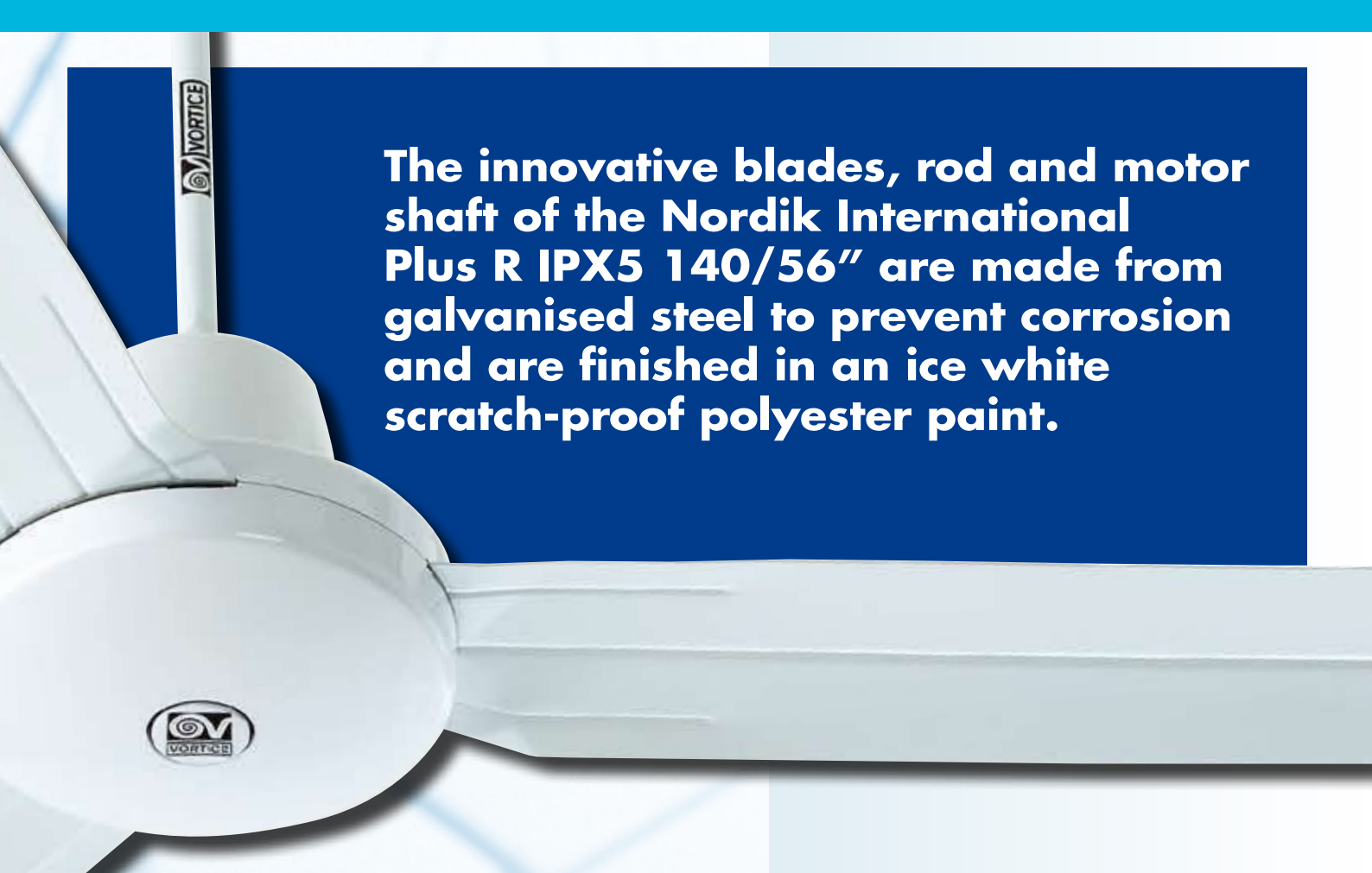
- **KEEPS COOL** - With its pleasant design and silent running this ceiling-mounted fan can provide cooling to an area which is 2.5 times the diameter of the blades.
- **REVERSIBLE** - This function draws air from beneath the fan and directs it upwards instead, inducing a more diffused downward air flow around the fan. This avoids unpleasant draughts forming in the direction of the users. (The mixing of the air creates a more diffused, less directional ventilation.)
- In larger heated environments (shops, greenhouses, etc.), heat distribution may not always be uniform. This problem can be solved by **DESTRATIFYING** the air using ceiling fans in a suitable number for the area concerned.
- Air is always **DESTRATIFIED**, irrespective of what direction of rotation is selected. Only the manner of diffusion changes.
- **IPX5** Splashproof protection makes the product ideal for installation in outdoor environments (verandas, balconies, sheds, etc) and in work environments characterised by high levels of humidity (glasshouses etc.) or even high pressure water jets (workshops, etc.).

Reversible

IPX5

Fully protected against water splashes.

Even directing a jet of water on to the casing from any direction does not cause any damage.



The innovative blades, rod and motor shaft of the Nordik International Plus R IPX5 140/56" are made from galvanised steel to prevent corrosion and are finished in an ice white scratch-proof polyester paint.

- Reversible
- IPX5 splash protection
- Blades, rod and motor shaft made entirely from galvanised, rust-proof steel
- Electric induction motor with external rotor for trouble-free, silent running
- Casing in impact-resistant, PP plastic resin with anti-UV, anti-yellowing treatment
- Specifications and performance IMQ certified
- Appliance manufactured in conformity to:
 - Safety standards:
EN 60335-2-80 (2003) + A1 (2004)
and EN 50366 (2003)
 - Splash protection:
EN 60529 (1997) + A1 (2000)

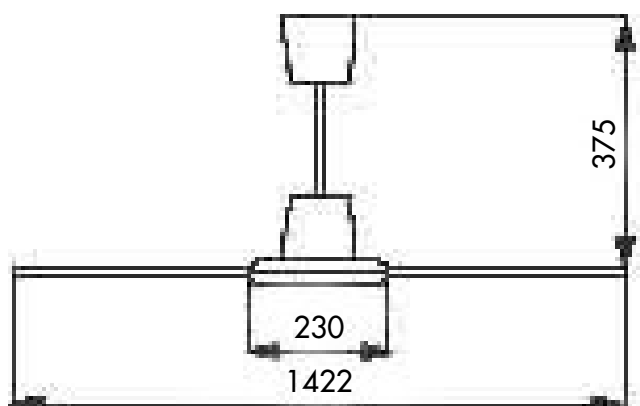


NEW

NORDIK INTERNATIONAL PLUS R 140/56" IPX5

REVERSIBLE CEILING FAN

Dimensions (mm)



Optional accessories



SCRR5 (code 12963)

5 speed controller for ceiling fans without lighting.
Recessed wall mounting kit SCBRR5/5L/5M
(code 22489).
220-240 V ~ 50 Hz
Max load: 100 W
Weight : 0.58 kg
Double insulation
Gost approved



SCRR/M (code 12965)

Speed controller for up to 6 ceiling fans.
Recessed wall mounting kit SCBRR5/5L/5M
(code 22489).
220-240 V ~ 50 Hz
Max load: 450 W (2.5 A)
Weight : 0.2 kg
Double insulation



Recessed wall mounting kit SCBRR5/5L/5M (code 22489)

To convert speed controllers SCRR5-SCRR/M for recessed wall mounting.



Rods (length in mm)

200 code 22032
250 code 22033
300 code 22042
350 code 22051
500 code 22074
1000 code 22077

Code	61742
W	70
A	0,33
V~50 Hz	220-240
m³/h	13500
⊙ /1'	231
⊗ n°	3
⊠ kg	6,2
⚡	d. I
Ⓜ	YES
CE	YES

Code 5.170.084.698

12/07

Vortice Elettrosociali S.p.A.
Strada Cerca, 2
Frazione di Zoate
20067 Tribiano (Milano)
Tel. (+39) 02 906991
Fax (+39) 02 90699314
Italia

export@vortice-italy.com

Vortice France
72, Rue Baratte-Cholet
94106 Saint Maur
Cedex
Tél. (+33) 1.55.12.50.00
Fax (+33) 1.55.12.50.01
France

contact@vortice-france.com

Vortice Limited
Beeches House-Eastern Avenue
Burton on Trent
DE13 0BB
Tel. (+44) 1283-49.29.49
Fax (+44) 1283-54.41.21
United Kingdom

getit@vortice.ltd.uk



www.vortice.com
www.vortice-france.com
www.vortice.ltd.uk